

BALDOR® • RELIANCE 

Product Information Packet

FPM2538T-2/4

40HP,3500RPM,3PH,60HZ,286TS,3954M,ODP,F1

Part Detail							
Revision:	B	Status:	PRD/A	Change #:		Proprietary:	No
Type:	AC	Elec. Spec:	39WGX945	CD Diagram:	CD0104	Mfg Plant:	
Mech. Spec:	39L35	Layout:	39LYL035	Poles:	02	Created Date:	03-13-2017
Base:	RG	Eff. Date:	08-22-2018	Leads:	12#10		

Specs			
Catalog Number:	FPM2538T-2/4	Insulation Class:	F
Enclosure:	ODP	Inverter Code:	Not Inverter
Frame:	286TS	KVA Code:	G
Frame Material:	Steel	Lifting Lugs:	Standard Lifting Lugs
Output @ Frequency:	40.000 HP @ 60 HZ	Locked Bearing Indicator:	No Locked Bearing
Synchronous Speed @ Frequency:	3600 RPM @ 60 HZ	Motor Lead Quantity/Wire Size:	12 @ 10 AWG
Voltage @ Frequency:	200.0 V @ 60 HZ	Motor Lead Exit:	Ko Box
	400.0 V @ 60 HZ	Motor Lead Termination:	Flying Leads
XP Class and Group:	None	Motor Type:	3954M
XP Division:	Not Applicable	Mounting Arrangement:	F1
Agency Approvals:	UL	Power Factor:	91
	CSA EEV	Product Family:	Fire Pump Motor
Auxillary Box:	No Auxillary Box	Pulley End Bearing Type:	Ball
Auxillary Box Lead Termination:	None	Pulley Face Code:	Standard
Base Indicator:	Rigid	Pulley Shaft Indicator:	Standard
Bearing Grease Type:	Polyrex EM (-20F +300F)	Rodent Screen:	None
Blower:	None	Shaft Extension Location:	Pulley End
Current @ Voltage:	104.000 A @ 200.0 V	Shaft Ground Indicator:	No Shaft Grounding

	52.000 A @ 400.0 V	Shaft Rotation:	Reversible
Design Code:	B	Shaft Slinger Indicator:	No Slinger
Drip Cover:	No Drip Cover	Speed Code:	Single Speed
Duty Rating:	CONT	Motor Standards:	NEMA
Electrically Isolated Bearing:	Not Electrically Isolated	Starting Method:	Wye Start - Delta Run
Feedback Device:	NO FEEDBACK	Thermal Device - Bearing:	None
Front Face Code:	Standard	Thermal Device - Winding:	None
Front Shaft Indicator:	None	Vibration Sensor Indicator:	No Vibration Sensor
Heater Indicator:	No Heater	Winding Thermal 1:	None
		Winding Thermal 2:	None

Nameplate NP3454L											
CAT.NO.	FPM2538T-2/4			CUST P/N				I.P.	23		
SPEC.	39L035X945H2			SER.NO.				FRAME	286TS		
HZ	60	HP	40	RPM	3500	HZ		HP		RPM	
VOLTS	200/400			CODE	G	VOLTS				CODE	
AMPS	104/52			DES	B	AMPS				DES	
EFF	91.7	SER.F.	1.15	PF	91	EFF				SER.F.	
RATING	40C AMB-CONT			DE BRG	6311	GREASE	POLYREX EM				
BLANK				ODE BRG	6208	MTR. WT.	254				
				CLASS	F	PH	3				
				ENCL	ODP	CC	010A				
HTR-VOLTS		HTR-AMPS		HTR-WATTS							

Parts List		
Part Number	Description	Quantity
SA335519	SA 39L035X945H2	1.000 EA
RA323730	RA 39L035X945H2	1.000 EA
HA6361A01	LIFTING LUG FOR 37, 39 & 40 FRAME ZINC	2.000 EA
09CB2800A01	ADAPTER MACH FOR 09CB3000 AND 10CB3000	1.000 EA
84XN3118J08	5/16-18 X 1/2 SOC HD CAP SCREW	2.000 EA
HW1001A31	LOCKWASHER 5/16, ZINC PLT.591 OD, .319 I	2.000 EA
WD1000B25	GND LUG, BURNDY L125HP OR T&B L125HP-BB	1.000 EA
19XW3118G08	.31-18X.50,HEX WSHR HD,TAPTITE 2,GREEN	1.000 EA
10CB3000SP	KOBX, CAST W/2.00 LEAD HOLE	1.000 EA
19XW3118A12	.31-18 X .75 HEX WASHER HEAD TAPTITE II	4.000 EA
HW1001A31	LOCKWASHER 5/16, ZINC PLT.591 OD, .319 I	4.000 EA
39EP3200A01SP	FR/PU ENDPLATE, MACH	1.000 EA
HW5100A08	W3118-035 WVY WSHR (WB)	1.000 EA
39EP3202A01	ENDPLATE MACH	1.000 EA
XY3816A12	3/8-16 FINISHED NUT	8.000 EA
10CB3500SP	CONDUIT BOX LID, CAST	1.000 EA
51XW2520A12	.25-20 X .75, TAPTITE II, HEX WSHR SLTD	4.000 EA
HW2501G17	KEY, 3/8 SQ X 1.875	1.000 EA
LB1115N	LABEL,LIFTING DEVICE (ON ROLLS)	1.000 EA
HW4500A03	GREASE FITTING, .125 NPT 1610(ALEMITE) 8	1.000 EA
HW4500A20	1/8NPT SL PIPE PLUG	1.000 EA
HA4051A00	PLASTIC CAP FOR GREASE FITTING	1.000 EA
MJ1000A02	GREASE, MOBIL POLYREX EM - 124047	0.030 LB
HW4500A03	GREASE FITTING, .125 NPT 1610(ALEMITE) 8	1.000 EA

Parts List (continued)		
Part Number	Description	Quantity
HW4500A20	1/8NPT SL PIPE PLUG	1.000 EA
HA4051A00	PLASTIC CAP FOR GREASE FITTING	1.000 EA
MG1025R44	WILKOFASST, 784.109, CARMINE RED #3002	0.050 GA
85XU0407S04	4X1/4 U DRIVE PIN STAINLESS	2.000 EA
HA3154A04	THRUBOLT STUD 3/8-16 X 18.750	4.000 EA
39AD2002A01	BAFFLE PLATE 39 OPEN, SLOTTED BAND MTRS	1.000 EA
39AD2002A01	BAFFLE PLATE 39 OPEN, SLOTTED BAND MTRS	1.000 EA
LB1119N	WARNING LABEL	1.000 EA
LC0104A01	CONNECTION DIAGRAM	1.000 EA
NP3454L	ALUM FIRE PUMP MOTOR(LEGACY/BALDOR ONLY)	1.000 EA
40PA1000	PACKAGING GROUP	1.000 EA
MN416A01	TAG-INSTAL-MAINT no wire (1200/bx) 3/19	1.000 EA

AC Induction Motor Performance Data

Record # 54900 - Typical performance - not guaranteed values

Winding: 39WGX945-R001	Type: 3954M	Enclosure: OPSB
-------------------------------	--------------------	------------------------

Nameplate Data				400 V, 60 Hz: High Voltage Connection	
Rated Output (HP)	40			Full Load Torque	60.6 LB-FT
Volts	200/400			Start Configuration	direct on line
Full Load Amps	104/52			Breakdown Torque	193 LB-FT
R.P.M.	3500			Pull-up Torque	71.9 LB-FT
Hz	60	Phase	3	Locked-rotor Torque	91.3 LB-FT
NEMA Design Code	B	KVA Code	G	Starting Current	330 A
Service Factor (S.F.)	1.15			No-load Current	12.2 A
NEMA Nom. Eff.	91.7	Power Factor	91	Line-line Res. @ 25°C	0.172 Ω
Rating - Duty	40C AMB-CONT			Temp. Rise @ Rated Load	63°C
S.F. Amps				Temp. Rise @ S.F. Load	79°C
				Locked-rotor Power Factor	27.2
				Rotor inertia	1.38 LB-FT ²

Load Characteristics 400 V, 60 Hz, 40 HP

% of Rated Load	25	50	75	100	125	150	S.F.
Power Factor	68	84	89	91	91	90	91
Efficiency	93.2	94.1	93.3	92	90.3	88.5	91
Speed	3580	3557	3532	3504	3472	3437	3485
Line amperes	17.7	27.6	39.2	52.1	66.4	81.3	60.7

Performance Graph at 400V, 60Hz, 40.0HP Typical performance - Not guaranteed values

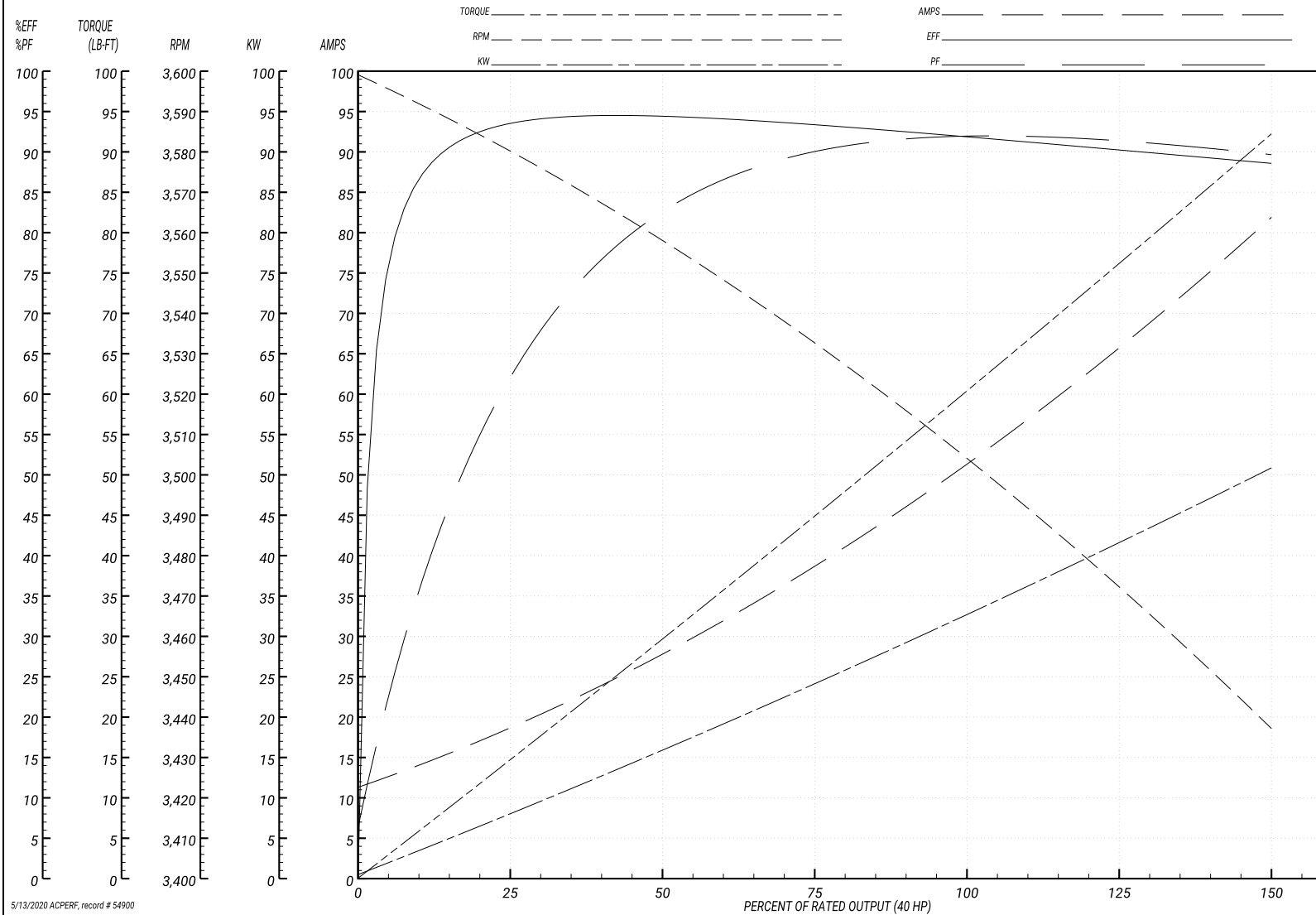
ABB Motors and Mechanical Inc.

WINDING # 39WGx945

Typical performance - not guaranteed values.

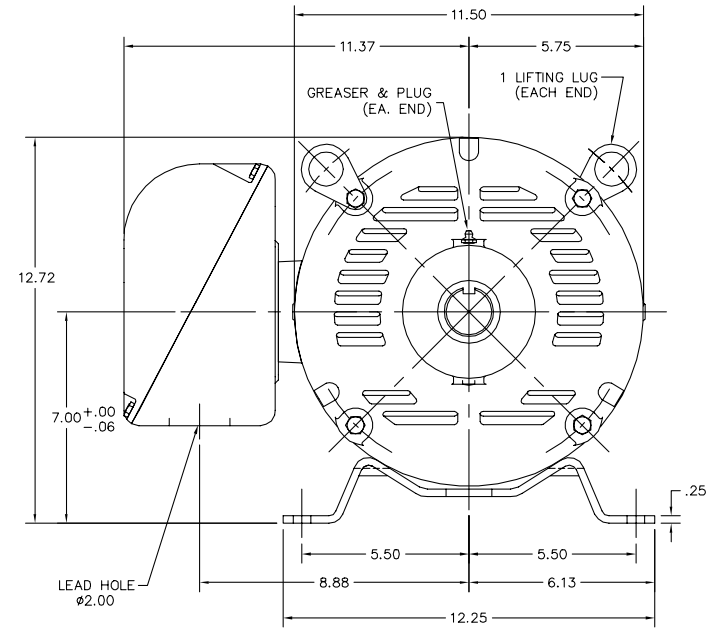
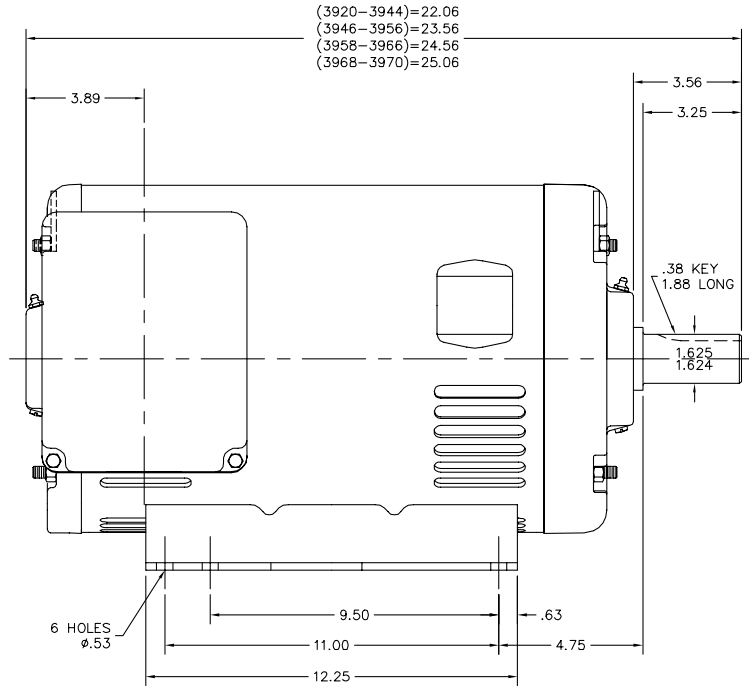
40 HP 3 PH 60 HZ 3500 RPM 400 V 3954M

TORQUES(LB-FT): PO=193 PU=71.9 LR=91.3 LRA=330



5/13/2020 ACPERF, record # 54900

39LYL035



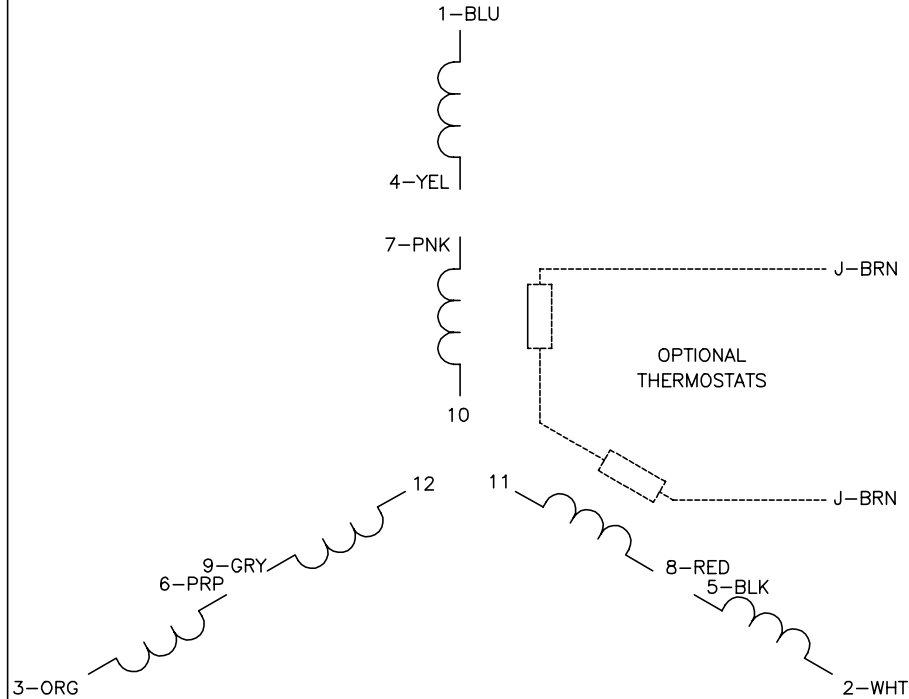
39LYL035

CUSTOMER IS RESPONSIBLE FOR DETERMINING THAT BALDOR'S PRODUCT WILL PERFORM SUITABLY IN THE INTENDED APPLICATION.

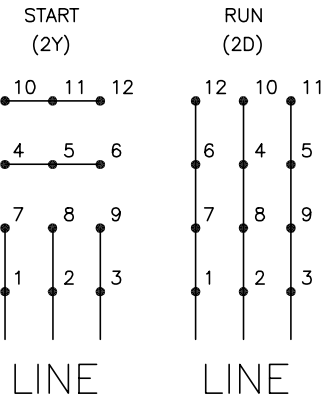
REV. DESC: CORRECT DESCRIPTION		
REV. LTR: G	VERSION: 04	TDR: 000001019052
FILE: \AAA\00007\095	REVISED: 12:37:51 03/13/2017	BY: ENNINDO
MTL: -		

BALDOR
 HOR OPSB 284-6TS
 SH 1 of 1

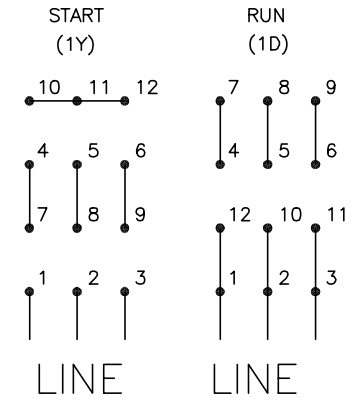
CD0104



LOW VOLTAGE



HIGH VOLTAGE



NOTES:

1. INTERCHANGE ANY TWO LINE LEADS TO REVERSE ROTATION.
2. OPTIONAL THERMOSTATS ARE PROVIDED WHEN SPECIFIED.
3. ACTUAL NUMBER OF INTERNAL PARALLEL CIRCUITS MAY BE A MULTIPLE OF THOSE SHOWN ABOVE.
4. LEAD COLORS ARE OPTIONAL. LEADS MUST ALWAYS BE NUMBERED AS SHOWN.

CD0104

REV. DESC: ADD CLASS CONN00000007		
REV. LTR: D	VERSION: 01	TDR: 000001099922
FILE: \AAA\00008\377	REVISED: 09:02:55 02/19/2019	BY: ENBRIRO
MTL: -	© □	

BALDOR - RELIANCE®

3PH, DV, 12 LEADS, Y START/D RUN

SH 1 of 1

Marketing maintained PDF of MN416:

[MN416?ManNumber=MN416](#)